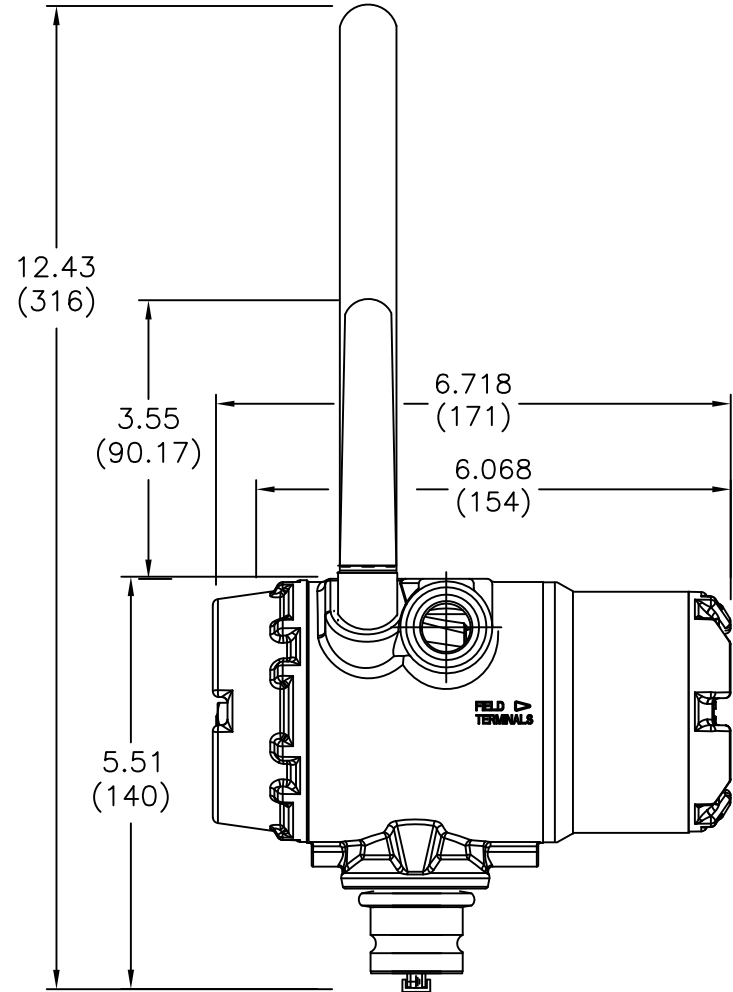
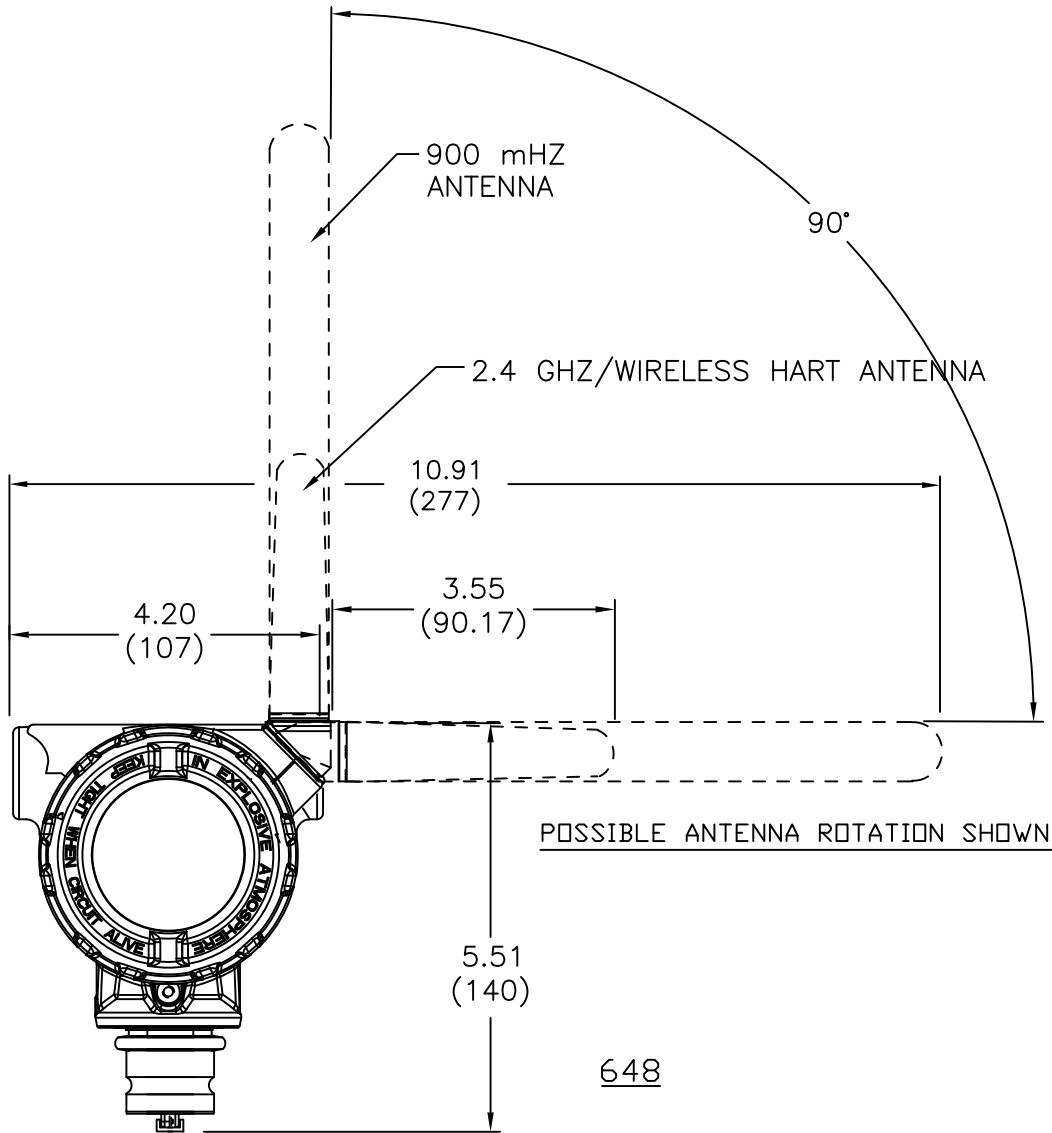


AA	NEW RELEASE	RTC1023101	CM	12/8/06
AB	ADD 2.4 GHZ	RTC1024372	CM	8/7/06
AC	ADD WIRELESS HART	RTC1025193	CM	1/3/06



*UNLESS OTHERWISE SPECIFIED DIMENSIONS IN INCHES (MM)		TYPE I		ROSEMOUNT® CHANHASSEN, MINNESOTA	
*ALL DIMENSIONS ARE NOMINAL AND ARE FOR REFERENCE ONLY		DR. JOHN ARMSTRONG	4/20/05	TITLE	
		APPROVAL		DIMENSIONAL DRAWING FOR	
		APP. CHAD MCGUIRE 12/8/06		MODEL 648 WIRELESS	
TAGGING		SIZE	DRAWING NO.		
SPECIALS		A	00648-7000		
SCALE:NONE			SHEET 1 OF 1		