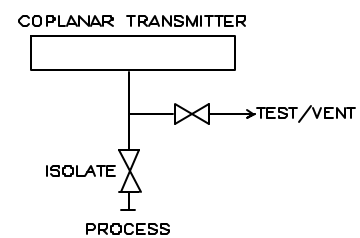
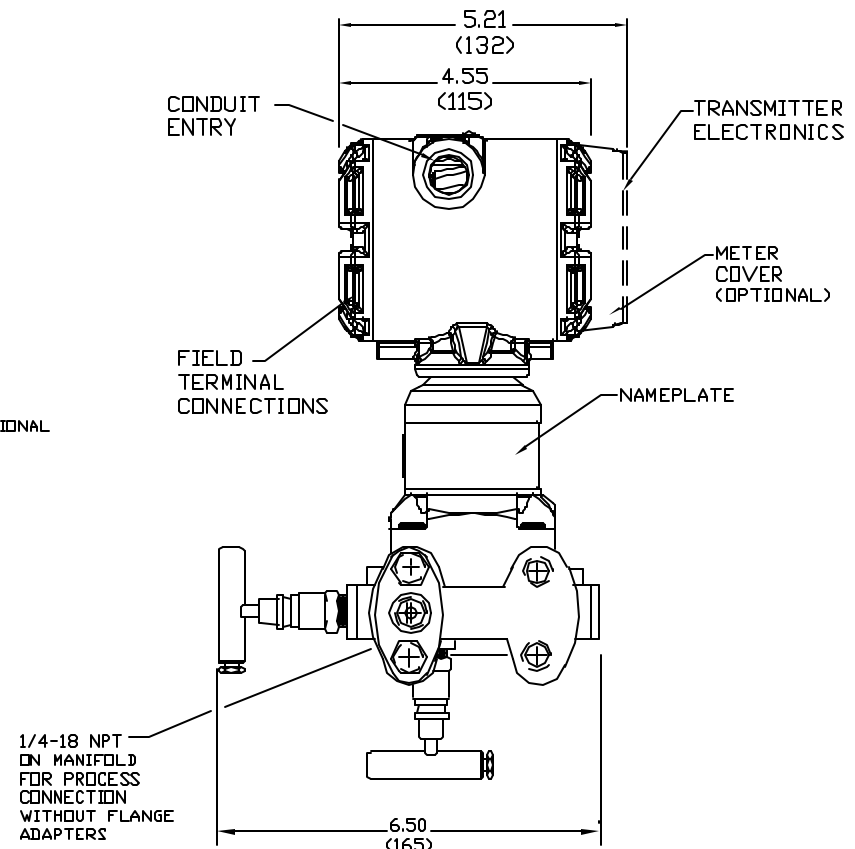
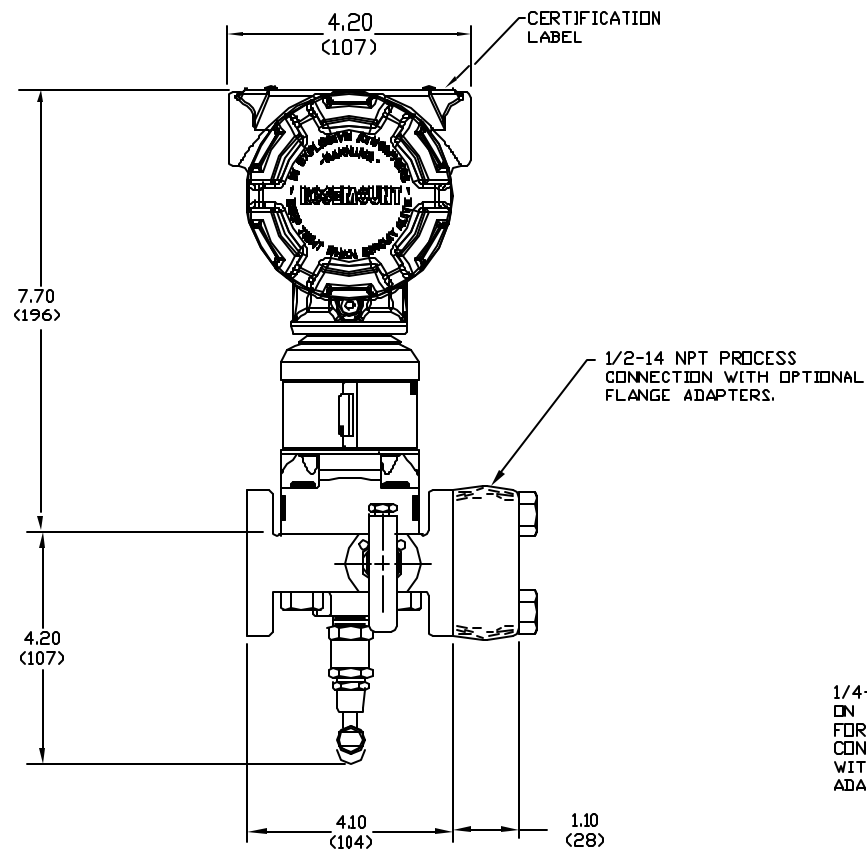


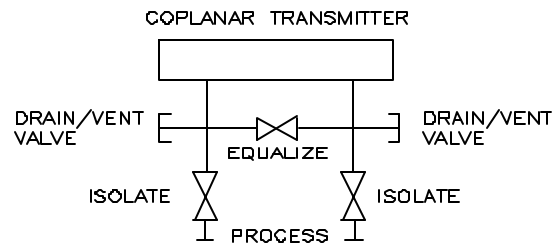
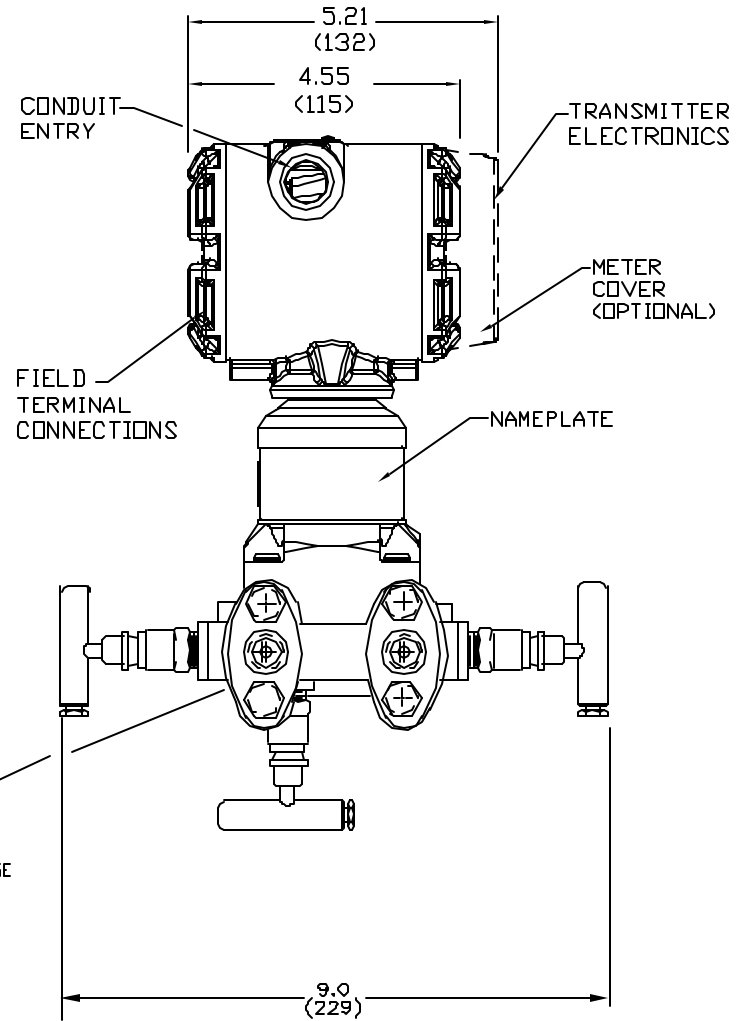
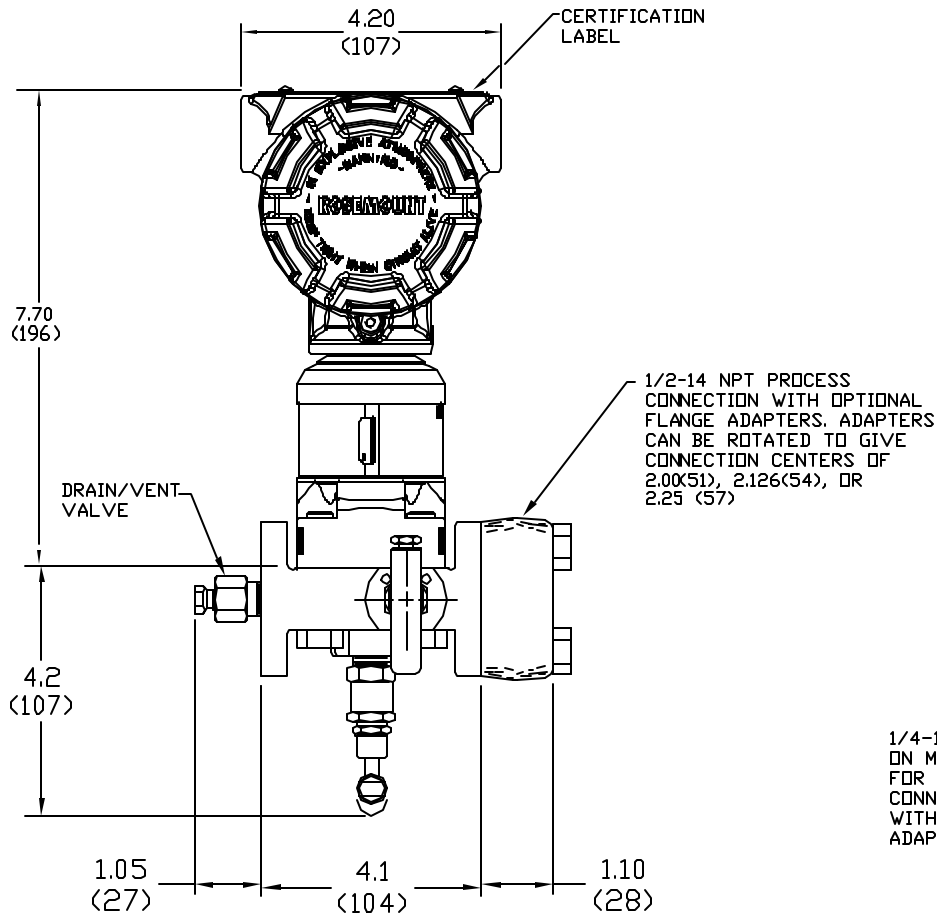
MODEL 305R TWO-VALVE TRADITIONAL STYLE MANIFOLD
 MODEL 305RM2 TWO-VALVE

REVISIONS				
REV	DESCRIPTION	CHG.NO.	APP'D	DATE
AA	NEW RELEASE			
AB	UPDATE TO TYPE I DRAWING FORMAT	RTC1014920	N.H.	2/28/03



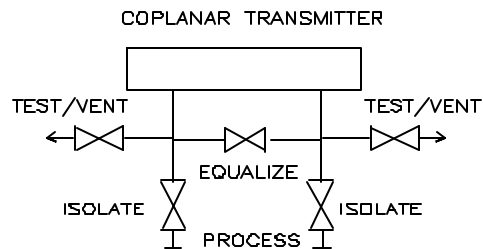
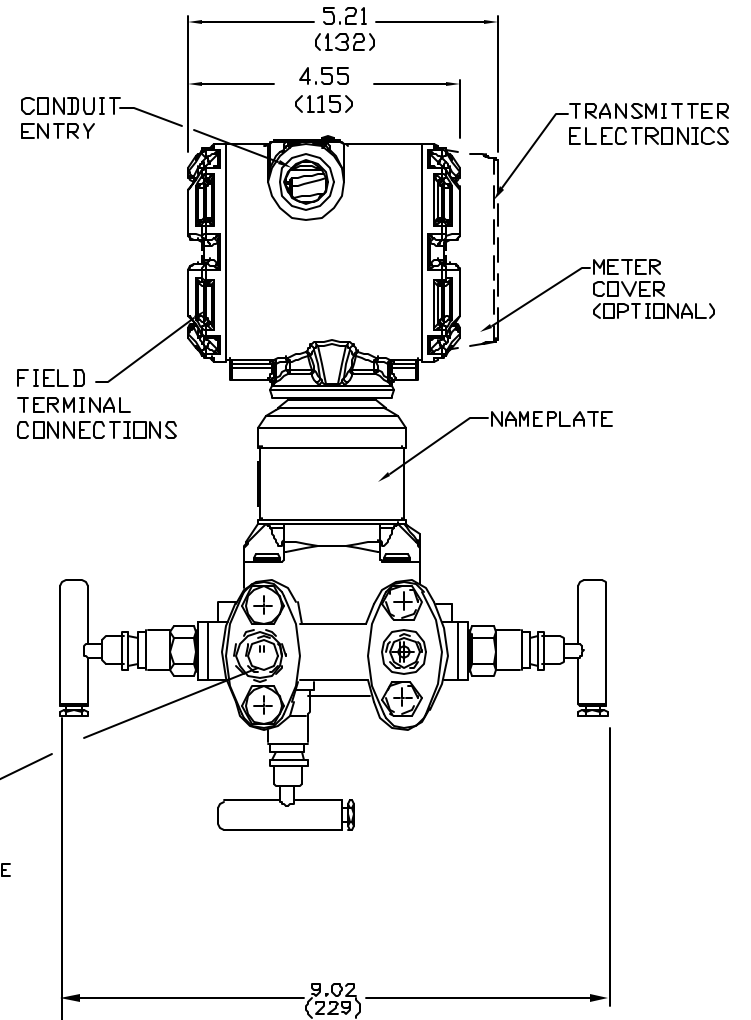
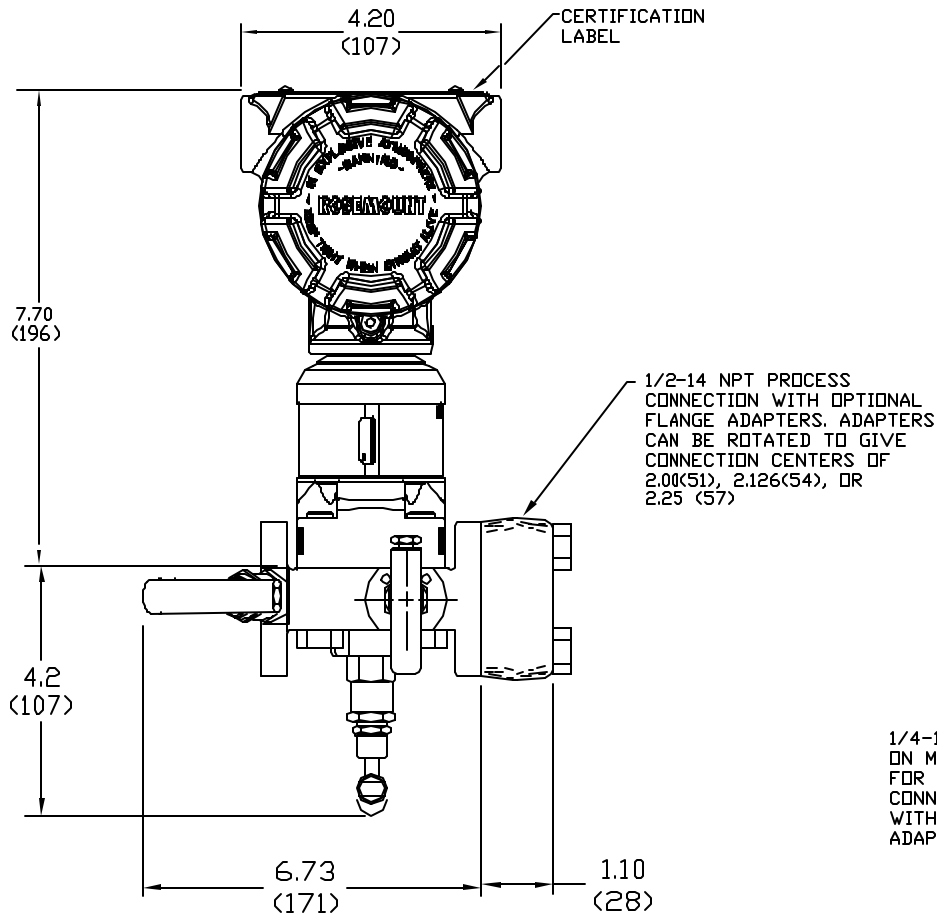
*UNLESS OTHERWISE SPECIFIED DIMENSIONS IN INCHES (MM)		TYPE I		ROSEMOUNT® CHANHASSEN, MINNEBOTA	
*ALL DIMENSIONS ARE NOMINAL AND ARE FOR REFERENCE ONLY		DR. JOHN ARMSTRONG	03/18/01	TITLE	
		APPROVAL		DIMENSIONAL DRAWING FOR MODEL 0305RM MANIFOLD	
		TAGGING		SIZE A	DRAWING NO. 00305-3014
		SPECIALS		SCALE: NONE	SHEET 1 OF 3

MODEL 305R THREE-VALVE TRADITIONAL STYLE MANIFOLD
 MODEL 305RM3 THREE-VALVE



ROSEMOUNT MINNEAPOLIS, MINN.				THIS DRAWING WAS CREATED ON CAD. VELLUM MASTER IS NOT TO BE CHANGED. DRAWING IS ARCHIVED ON MAGNETIC TAPE FOR EDC CHANGES. FILE NAME:			
				SIZE	FSCM.NO.	DRAWING NO.	
DR	A		04274				
ISSUE	SCALE:	WT.			SHEET 2	OF 3	

MODEL 305R FIVE-VALVE TRADITIONAL STYLE MANIFOLD
 MODEL 305RM5 FIVE-VALVE



THIS DRAWING WAS CREATED ON CAD. VELLUM MASTER IS NOT TO BE CHANGED. DRAWING IS ARCHIVED ON MAGNETIC TAPE FOR EDC CHANGES.

FILE NAME:

SIZE	FSCM.NO.	DRAWING NO.
A	04274	00305-3014
SCALE	WT.	SHEET 3 OF 3

ROSEMOUNT INC.
 MINNEAPOLIS, MINN.

DR

ISSUE