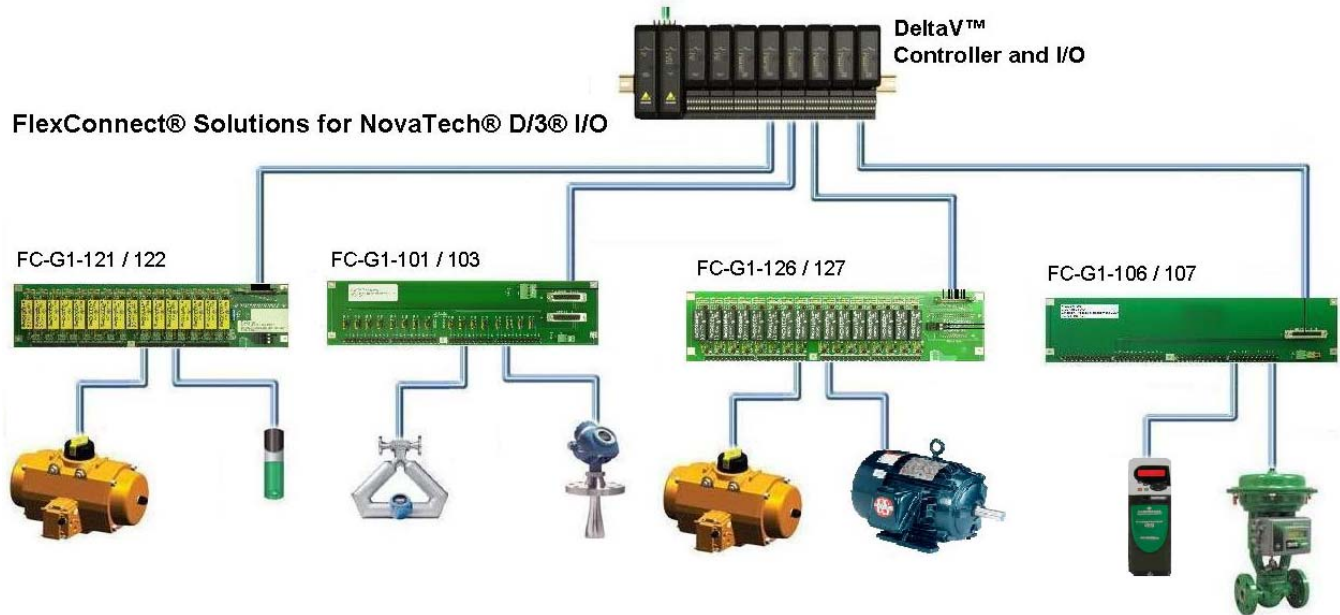




## FlexConnect® Solutions for NovaTech® D/3® I/O



FlexConnect® solutions protect your wiring investment as you convert from NovaTech® D/3® to the DeltaV™ system.

- Reduce business risks by minimizing process downtime
- Save 75% of installation costs
- Preserve HART® signals

### Introduction

If concerns about downtime and wiring costs are preventing you from migrating your NovaTech® D/3® system to a new DeltaV™ system, consider FlexConnect® Solutions for NovaTech® D/3® I/O.

### Benefits

**Reduce business risks by minimizing process downtime.** This solution brings device signals to DeltaV I/O from existing D/3 I/O terminations. Keeping device wires intact accelerates new system startup, enabling you to rapidly resume production.

**Save 75% of installation costs.** Eliminating new device wiring saves money and reduces the risk of errors. Time and materials savings are significant.

**Preserve HART® signals.** Use HART® Pass-through for complete diagnostics at the DeltaV Operator Station.



## Product Description and Specification

The following NovaTech D/3 Termination Panels can be replaced and directly connected to DeltaV IO cards and carriers using FlexConnect Interface Panels and Cabling Assemblies. All solutions for D/3 I/O use a replacement Field Termination Panel (FTA) and cable.

### Analog Inputs (AI)

Sixteen D/3 analog inputs connect to two 8 channel or one 16 channel DeltaV AI HART card.

Sixteen D/3 RTD inputs connect to two 8 channel DeltaV RTD cards.

Sixteen D/3 isolated analog inputs connect to four DeltaV isolated analog input cards.

### Analog Outputs (AO)

Eight D/3 Analog Outputs connect to an 8 channel DeltaV AO HART cards.

### Digital Inputs (DI)

Sixteen or 32 D/3 digital inputs connect to a 32 channel DeltaV DI Card.

### Digital Outputs (DO)

Sixteen or 32 D/3 Digital Outputs connect to a 32 channel DeltaV DO Card.

## Application and Installation Drawings

FlexConnect solutions for D/3 systems are documented in the following drawings.

FTA Terminal	D/3 Signals	DeltaV I/O card type	FlexConnect Drawing Number
A16515 / A31615	16 AI	8 AI (2)	FC-G1-101-103-AI, FC-UC-311
A16515 / A31615	16 AI RTD	8 AI RTD (2)	FC-G1-108-109-AI, FC-UC-306-1
A16515 / A31615	16 AI ISO	4 AI ISO (4)	FC-G1-102-110-111-116 AI, FC-UC-302
A16531 / A32531	8 AO	8 AO	FC-G1-106-107-AO, FC-UC-302
A16545 / A31545	16/32 DI SS	DI 32	FC-G1-121-122-DI / FC-G1-123-124-DI, FC-UC-316
A16545 / A31545	16/32 DO SS	DO 32	FC-G1-126-127-DO / FC-G1-128-129-DO, FC-UC-316
A16561 / A31561	16/32 DO Relay	DO 32	FC-G1-142-142-DO / FC-G1-143-144-DO, FC-UC-316

The FlexConnect solution drawings are available upon request.



To locate a sales office near you, visit our website at: [www.EasyDeltaV.com/reach](http://www.EasyDeltaV.com/reach)

...or call us at:

Asia Pacific:	65.777.8211
Europe, Middle East:	41.41.768.6111
North America, Latin America:	+1 800.833.8314 or +1 512.832.3774

For large power, water, and wastewater applications contact Power and Water Solutions at:  
[www.emersonprocess-powerwater.com](http://www.emersonprocess-powerwater.com)

...or call us at:

Asia Pacific:	65.777.8211
Europe, Middle East, Africa:	48.22.630.2443
North America, Latin America:	+1 412.963.4000

© Emerson Process Management, 1996-2009.

All rights reserved. For Emerson Process Management trademarks and service marks, go to  
[www.emersonprocess.com/home/news/resources/marks.pdf](http://www.emersonprocess.com/home/news/resources/marks.pdf)

FlexConnect Solutions for NovaTech D/3 I/O is not approved or endorsed by NovaTech, LLC. NovaTech Process Solutions, LLC claims to own the following mark: D/3. All other marks are the property of their respective owners.

The contents of this publication are presented for informational purposes only, and while every effort has been made to ensure their accuracy, they are not to be construed as warranties or guarantees, express or implied, regarding the products or services described herein or their use or applicability. All sales are governed by our software licensing agreement and terms and conditions, which are available upon request. We reserve the right to modify or improve the designs or specifications of our product and services at any time without notice.

