

Product Data Sheet

SD 4301-2E01

July 2008

Damcos® MPV-3

MPV-3, manually operated pilot valve

Description

The pilot valve is a mechanically operated 4 way - 3 position valve suitable for subplate mounting according to Cetop-3 standard. The pilot valve can be mounted together with e.g.:

- Hydraulic position indicator (VPI)
- Double pilot valve (DPCV-3)
- Throttle valve (TR-3)

We recommend to stack a maximum of 3 valves. The manually operated pilot valve is available with two spool types A and D. (See the diagrams).



Technical specification

Max. working pressure on ports P-A-B;	105 bar/ 1500 lbf/in ²
Max. test pressure on ports P-A-B:	180 bar/ 2600 lbf/in ²
Max. pressure on port T:	30 bar/ 400 lbf/in ²
Max recommended flow:	25 l/min.
Total dry weight:	1.4 kg/ 3.09 lb
Oil viscosity range:	15-200 cST
Hydraulic media:	We recommend acid-free hydraulic oil
Temperature range:	-20°C to +80 24°C/ 4°F to 176°F

Materials

Housing:	GGG 40
Spool:	Hardened steel
Top and bottom cover:	AlMgSi 0.5, anodized
Handle:	AlMgSi 0.5, anodized
Screws, sign plates and rivets:	AISI 304
Seals:	NBR acrylonitrile butadiene

DAMCOS®


EMERSON™
Process Management

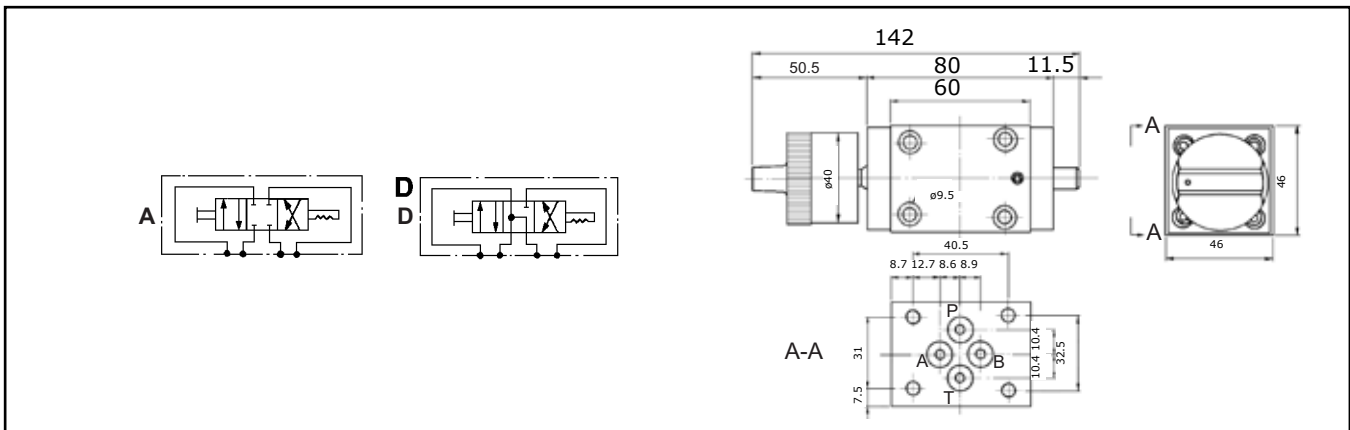
Damcos® MPV-3

Operation

Turning the handle counter clockwise the hydraulic connection will be P↔B and A↔T meaning that the actuator is opening.

Turning the handle clockwise the connection will be P↔A and B↔T meaning that the actuator is closing.

Main dimensions and spool types



The Emerson logo is a trademark and service mark of Emerson Electric Co. Damcos and the Damcos logotype are registered trademarks of Damcos A/S. All rights reserved. The contents of this publication are presented for information purposes only, and while effort has been made to ensure their accuracy, they are not to be construed as warranties or guarantees, expressed or implied, regarding the products or services described herein or their use or applicability. All sales are governed by our terms and conditions, which are available upon request. We reserve the right to modify or improve the designs and specifications of our products at any time without notice. Damcos A/S accepts no responsibility for any errors that may appear in this publication.

This product is developed and managed by:
Emerson Process Management

Damcos A/S
Aaderupvej 41
DK-4700 Naestved
T +45 5578 7200
F +45 5578 7272

For global contacts:
www.EmersonProcess.com/marine