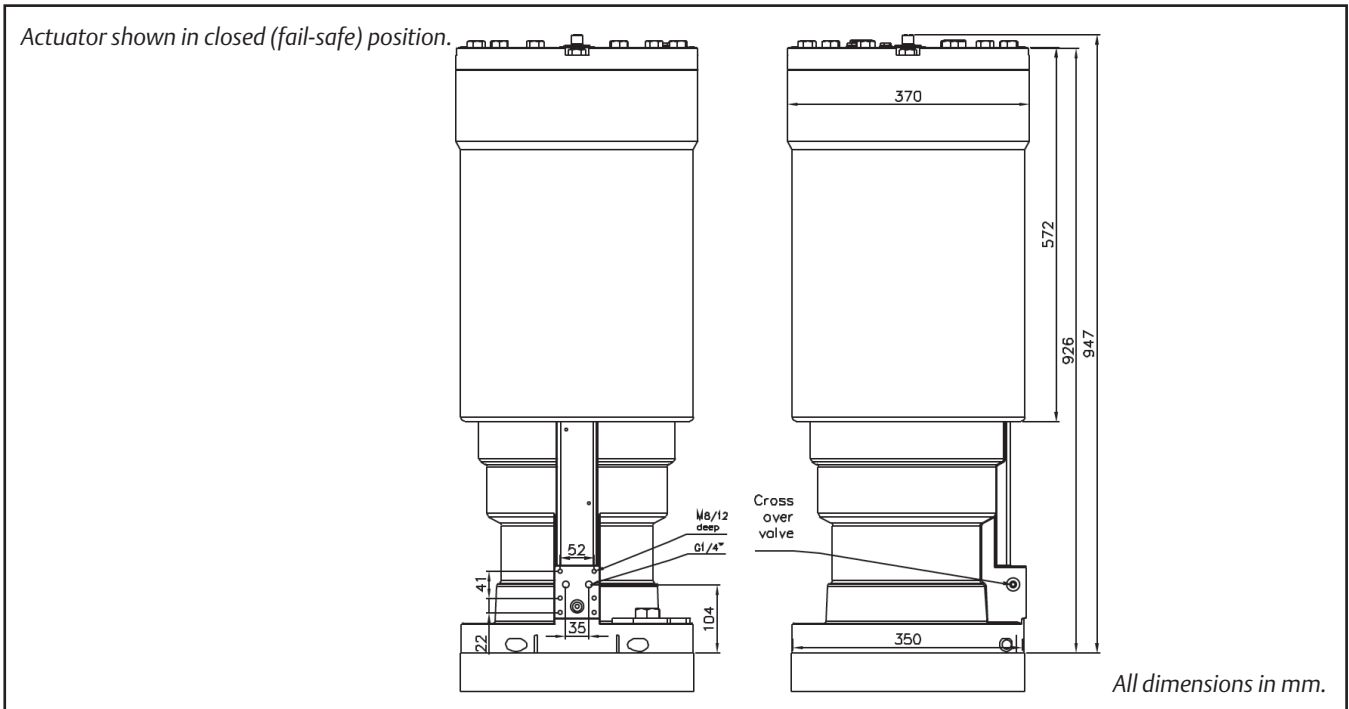


Damcos™ BRCF 16000

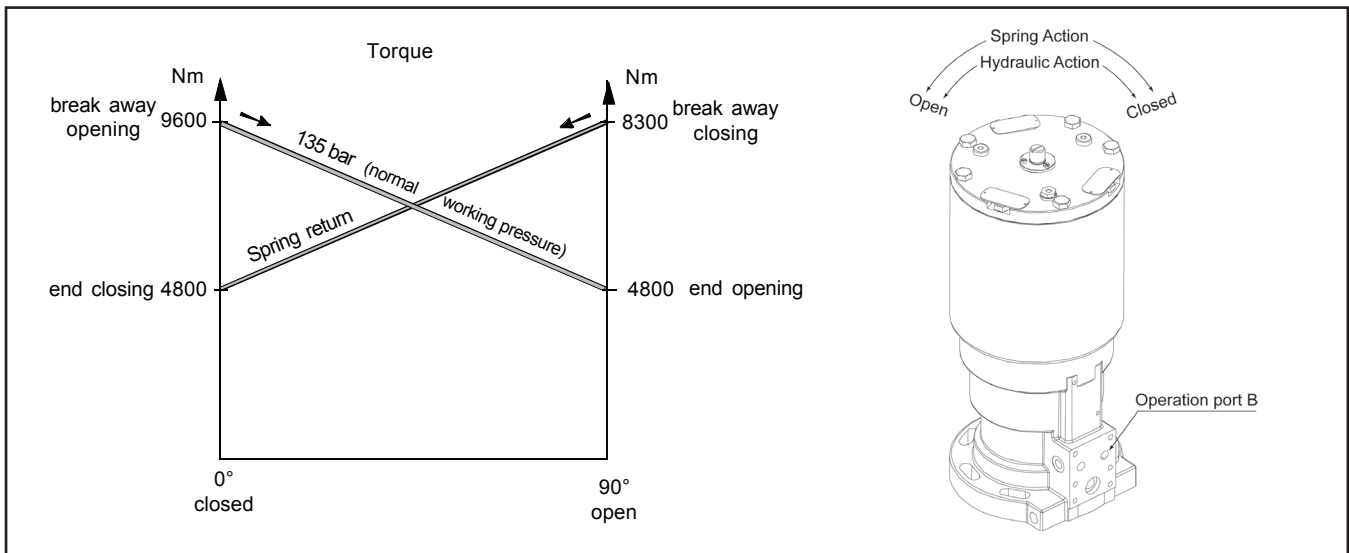
Hydraulic Single-Acting Balanced Rotary Actuator 90°
(Quarter-turn) Fail-Safe



Main Dimensions



Performance



Note!

The BRCF fail safe actuator is “Fail Close” in the standard version. Optionally a “Fail Open “ version can be ordered. In case of Fail Open the above torque curve and operation chart is opposite.

Standard version; Fail close;

Opens by means of hydraulic pressure applied to port B and closes with spring force, when pressure on B port is released.

Optional version; Fail Open;

Closes by means of hydraulic pressure applied to port A and opens with spring force, when pressure on port A is released.

Valve Adaption

Max. valve shaft intrusion: 132

Approx. 5°

Adapter

Intermediate flange

Adjustment screw, torque: 50 Nm

6.5° 6.5°

Fastening nut, torque: 600 Nm

All dimensions in mm

Limits for the machining of the adapter. Other shapes on request, please contact DMS.

Shape			
Machined acc. to:	DIN 6885		DIN 79
mm (max.):	Ø 95		□ 85

Technical Specification

Working pressure	135 bar
Burst test	675 bar
Total dry weight incl. mounting set (46.5 kg)	467 kg
Oil displacement	3.1 l
Temperature range	-20°C to +80°C
Rotation	90°±1°
Hydraulic media and viscosities	We recommend acid-free hydraulic oil. Viscosity range: 15-200 cSt. For recommended brands and for other media than oil please refer to separate data sheet.

©2013 Emerson Process Management. All rights reserved.

The Emerson logo is a trademark and service mark of Emerson Co. Damcos® and the Damcos logotype are registered trademarks of Damcos A/S, Rosemount® TankRadar and the Rosemount logotype are registered trademarks of Rosemount Tank Radar AB.

Emerson Process Management

Damcos A/S
Aaderupvej 41
DK-4700 Naestved
T +45 5578 7200
F +45 5578 7272

www.EmersonProcess.com/mtm

The contents of this publication are presented for information purposes only, and while effort has been made to ensure their accuracy, they are not to be construed as warranties or guarantees, expressed or implied, regarding the products or services described herein or their use or applicability. Standard Terms and Conditions of Sale can be issued by contacting Damcos A/S or Rosemount Tank Radar AB. We reserve the right to modify or improve the designs and specifications of our products at any time without notice.

Damcos A/S and Rosemount Tank Radar AB accepts no responsibility for any errors that may appear in this publication.