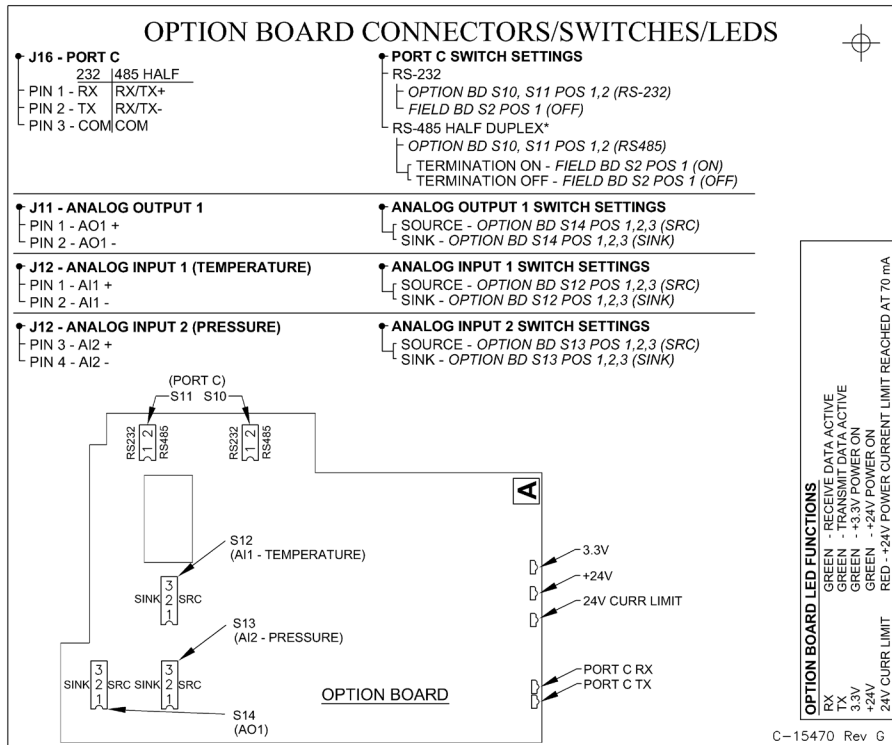
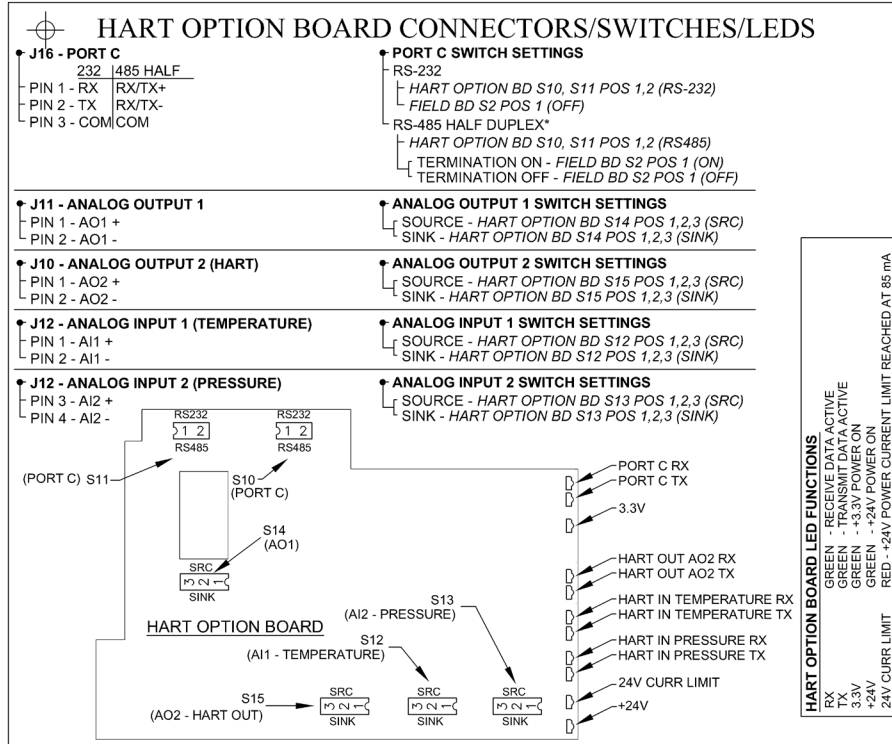


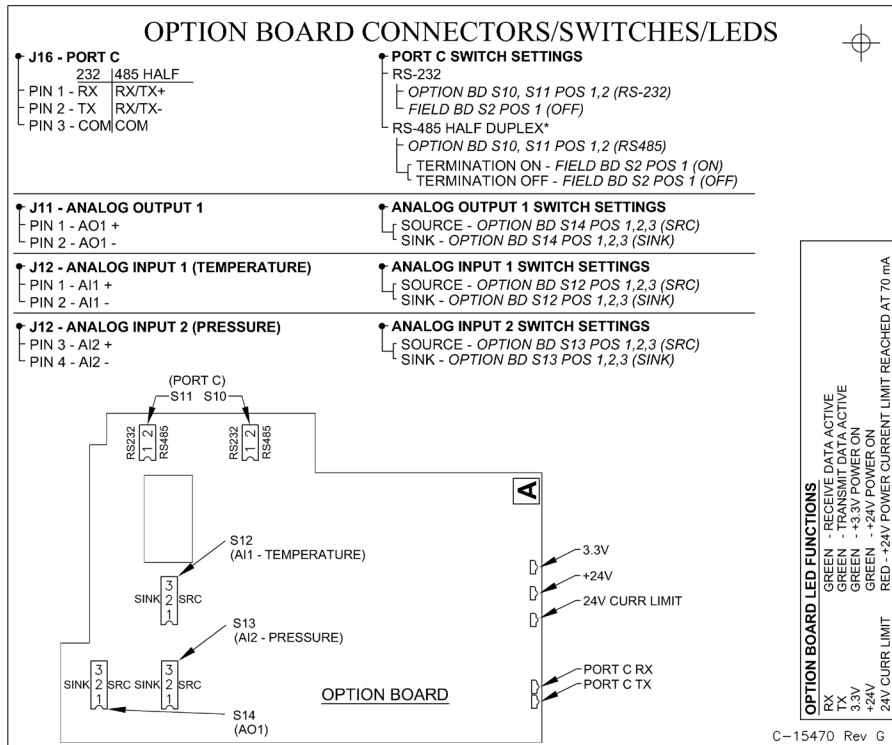
CARD 2 - SIDE 2



CARD 2 - SIDE 1



CARD 2 - SIDE 2



C-15470 Rev G

CARD 2 - SIDE 1